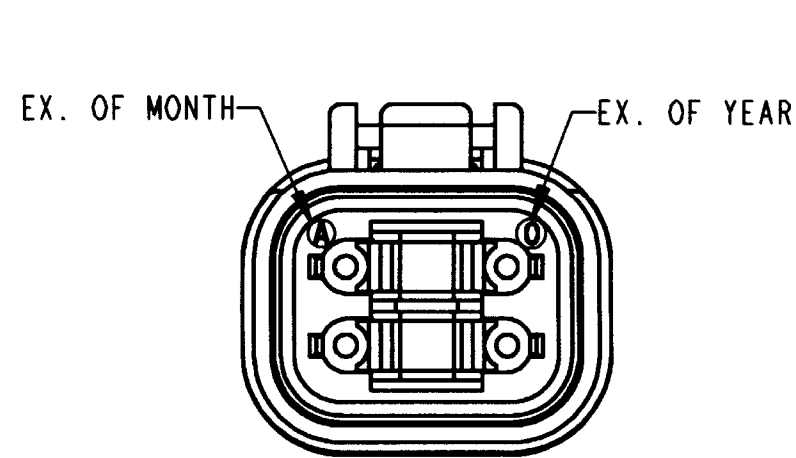
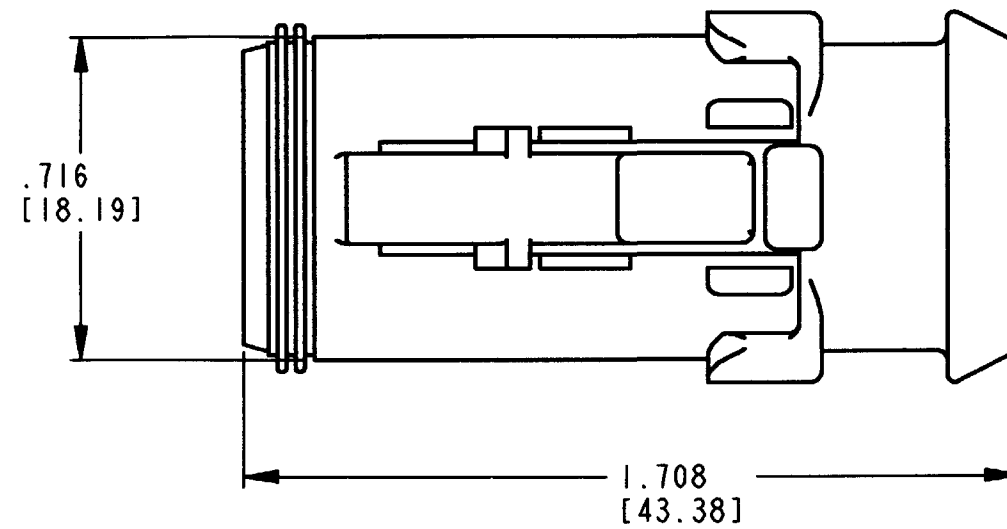


**3-DIMENSIONAL  
VIEW**

REV  
NC **DT06-4S-EP11**

REVISIONS			
SYM	DESCRIPTION	DATE	APPROVED
NC	NEW RELEASE PER E.O. PI6605	4-14-00	RDR

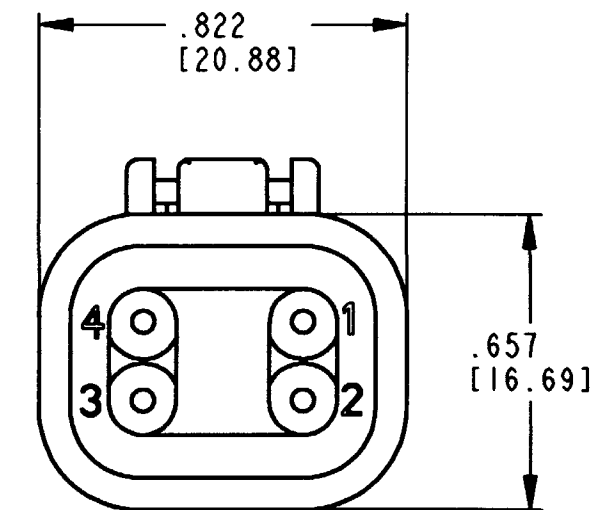
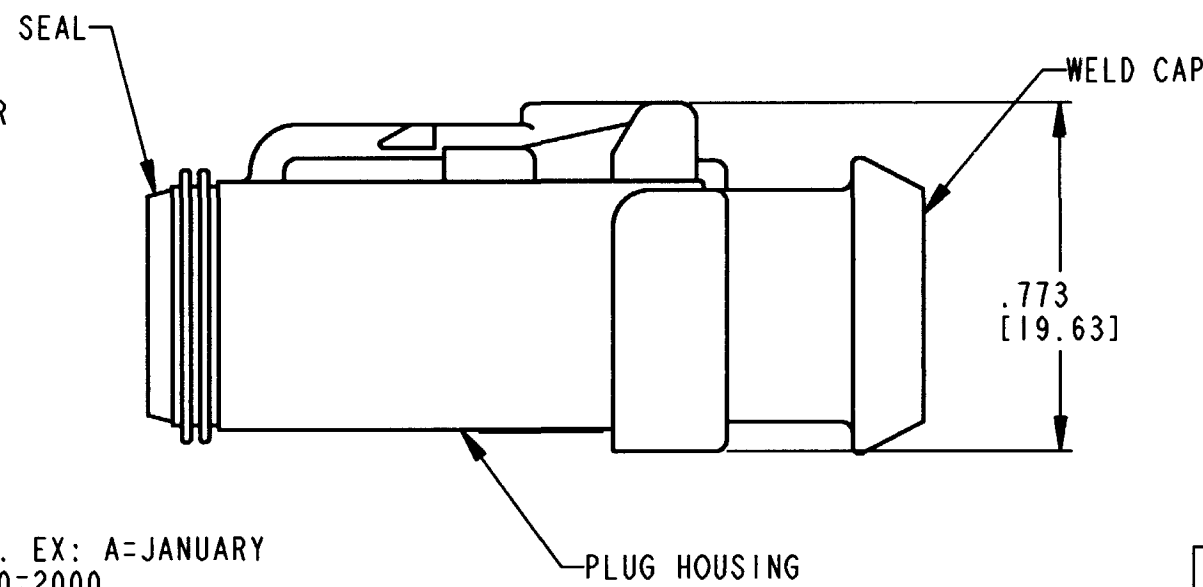


**DATE CODE LEGEND:**

MONTH IS REPRESENTED BY SEQUENTIAL ALPHA CHARACTERS. EX: A=JANUARY  
YEAR IS REPRESENTED BY THE LAST DIGIT. EX: 0=2000.

4. THIS PLUG MATES WITH DT04-4P-\*\*\*\* RECEPTACLE (\*\*\*\* = ALL MODIFICATIONS). CONSULT FACTORY FOR MODIFICATIONS.
3. FOR CONTACTS AND WIRE PERFORMANCE AND APPLICATION CHARACTERISTICS SEE ENVELOPE DRAWING 0425-015-0000 AND 0425-017-0000.
2. DIMENSIONS ARE ±.025[0.63] UNLESS OTHERWISE SPECIFIED.
1. DIMENSIONS ARE IN INCHES [MILLIMETERS].

NOTES:



CONTACT SIZE	MIN. INSUL O.D.	MAX. INSUL O.D.	WIRE RANGE [mm <sup>2</sup> ]
16	.088 [2.23]	.145 [3.68]	14-20 AWG [2.0-0.5]

SIGNATURE & DATE	
DR	S. THEIS 3/27/00
CHK	<i>S. Theis</i> 4-12-00
PE	<i>S. Theis</i> 4-10-00
APPD	<i>A. Kosch</i> 4-14-00
SCALE	NONE WT

4 WAY PLUG  
SEAL RETENTION  
W/ EXTENDED CAP  
COLOR: BLACK  
DT SERIES

ENVELOPE

CP	MATL. CODE
<b>The Deutsch Company</b> DEUTSCH I.P.D. 3850 INDUSTRIAL AVE. HEMET, CALIF. 92545	
<b>B</b>	<b>DT06-4S-EP11</b>
DWG SIZE	CODE SHEET   OF